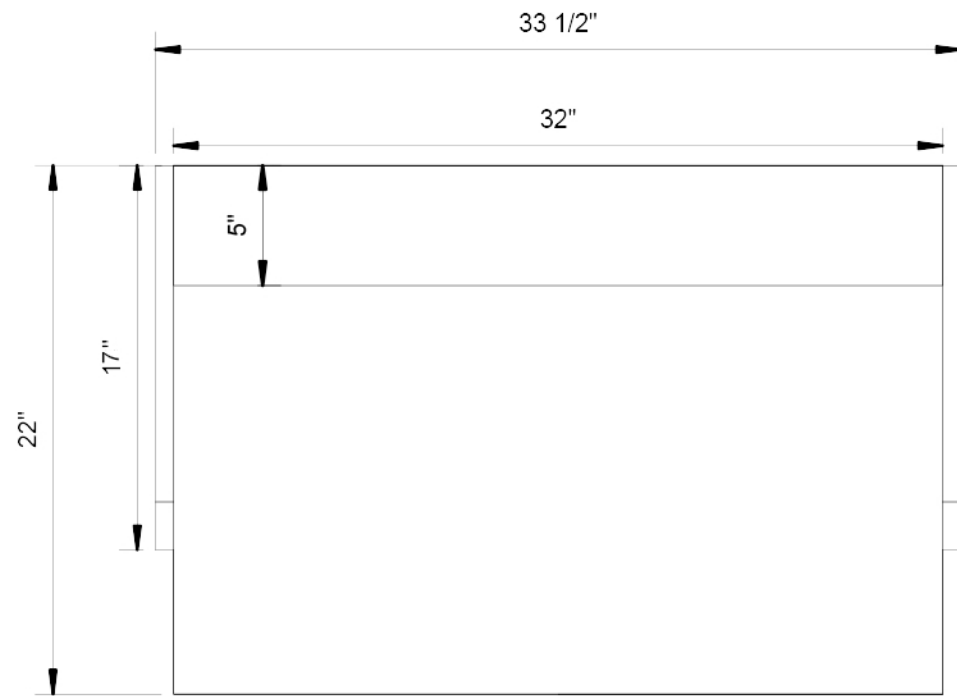


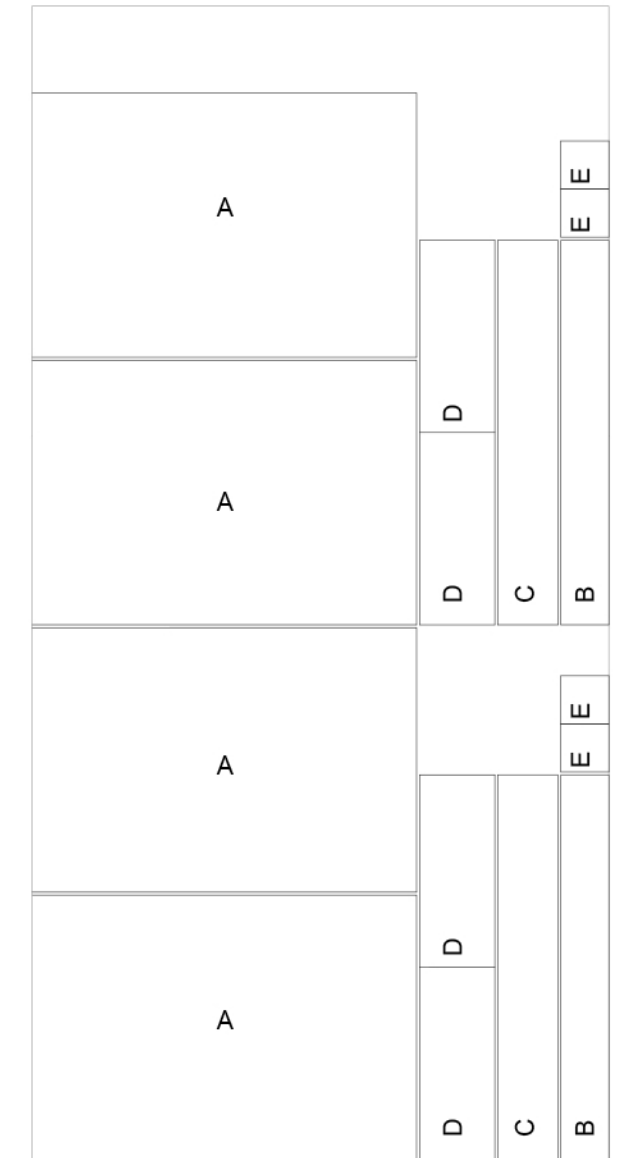
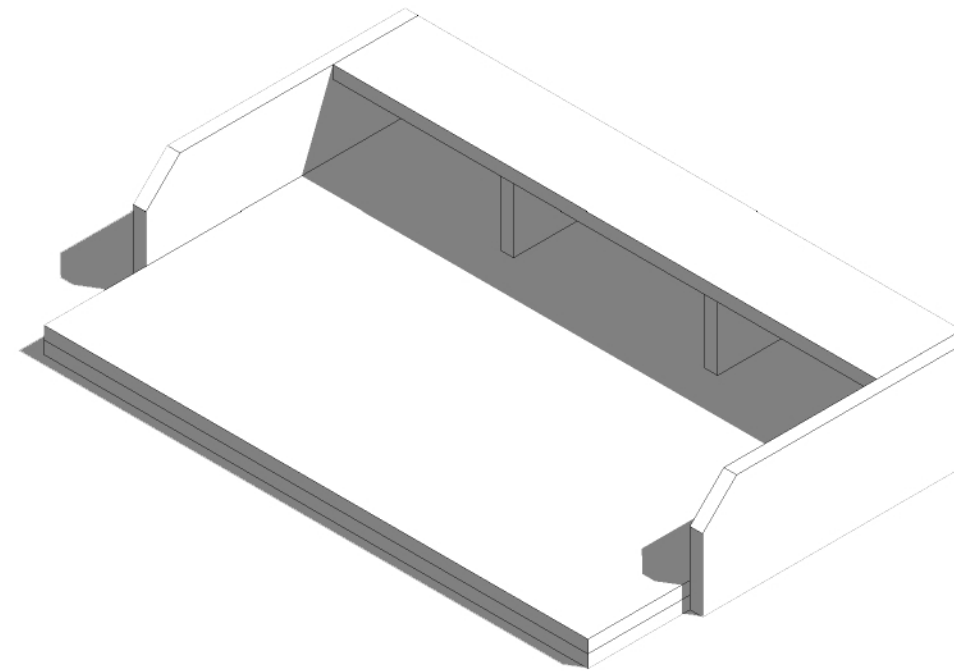
④ Front
1 1/2" = 1'-0"



⑤ Side
1 1/2" = 1'-0"



③ Top
1 1/2" = 1'-0"



CUT LIST (3/4" plywood)				
	PIECE	QTY.	DIMENSIONS	DONE
A	TOP	2	32" X 22"	
B	BACK	1	32" X 4"	
C	SHELF	1	32" X 5"	
D	SIDE	2	17" X 6 1/4"	
E	DIVIDER	2	4" X 4"	



Distance Learning Desk

for Building Opportunities for Self Sufficiency (BOSS)

No.	Description	Date

Shop Drawing

Project number 001
Date 2021.01.18
Drawn by HC
Checked by EP

SK1

Scale As indicated